

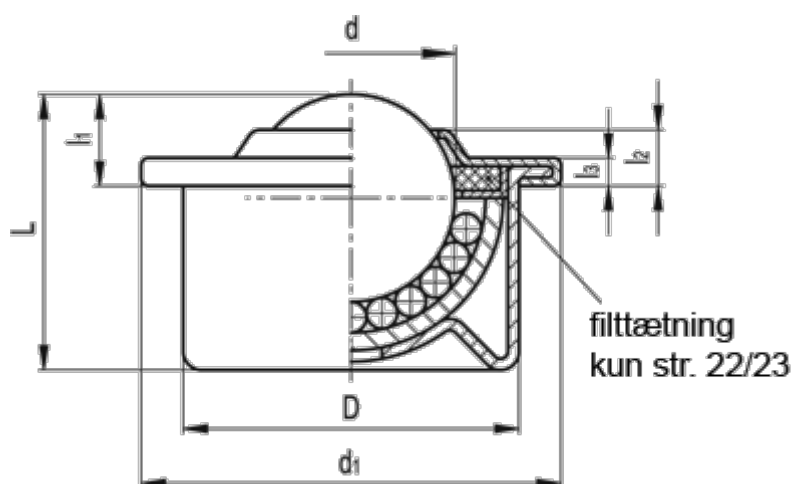
Data Sheet



Article number: 20606022

Description: E+G Ball transfer unit
GN 509-22-NNI - St. steel

Measures



| | |
|--------------|--------|
| d | = 22.2 |
| D | = 36 |
| d1 | = 45 |
| L +/-0.3 | = 29.5 |
| l1 +/-0,3 | = 10.0 |
| l2 +/-0.3 | = 6 |
| l3 | = 3.0 |
| Max load (N) | = 900 |

Weight (g) = 130